

12  
VOLT

# GATE OPERATOR ZIP<sub>12</sub>

For gate leaves up to 3,5 m



## 650ZIP12

12 V electromechanical gate operator. Maximum gate leaf 3,5 m

### Features:

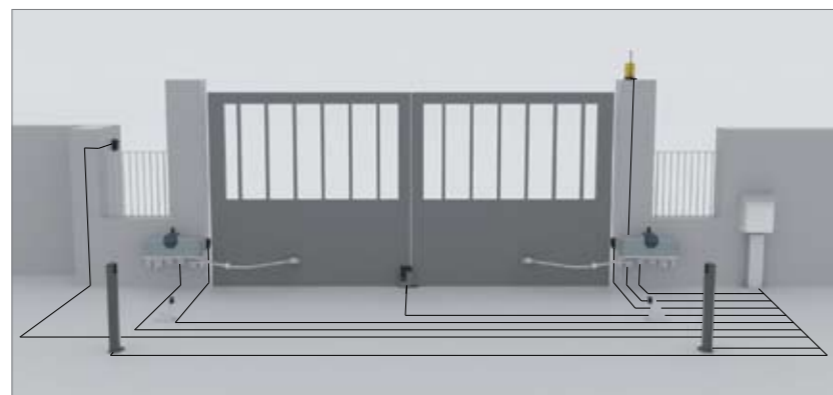
- residential / apartment building use
- for gates leaves up to 3,5 m
- low voltage DC gate operator
- optical encoder technology
- electromechanical motor
- built-in limit switch

### Pros:

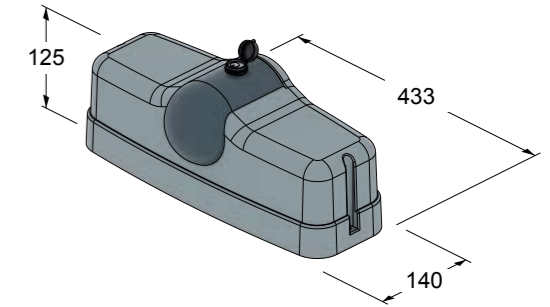
- ideal for big posts
- obstacle detection and crush prevention
- in accordance with EN 12445-12453 standards
- works even during power outage thanks to the optional backup battery
- fast operating speed
- intensive use, ideal for use on apartment buildings and public entrances



Technical features	ZIP12
Power supply	230 V AC (50 - 60 Hz)
Motor power supply	18 V DC
Absorption	0,8 A
Absorbed power	15 W
Opening time 90°	8 sec.
Duty cycle	100 %
Max. torque	416 Nm
Operating temperature	-20° C ÷ +55° C
Motor thermal protection	-
Degree of protection	IP 44



The above represented installation does not include safety devices such as safety edges. Their addition depends upon the risk assessment made on any installation in accordance with EN 12445-12453 standards.



### Accessories



**750D747M**  
Electronic control unit for one or two 12 V gate operators with encoder, complete with transformer and enclosure



**650ESV1-2**  
Electric lock (1 = left hand opening – 2 = right hand opening)



**200BATT**  
12 Volt Battery, 7,2 Ah



**700BAP**  
Gate stopper for heavy leaves



**750SCB12**  
Battery charger (optional)



**700BAP1**  
Gate stopper for light leaves



**M-030000CC50**  
Multicore cable (2 x 2.5 sq.mm + 3 x 0.5 sq.mm)



**700BAP2**  
Gate stopper wall/floor mount



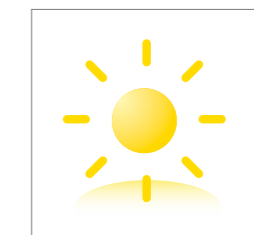
**700GS5**  
Weatherproof cable connector for 5-core 12 V cable



**C-TARG**  
Aluminium CE Mark Label, self adhesive



\*They refer to leaves with openings and not totally closed panels.



**Solar power**  
Thanks to the Photovoltaic (PV) Technology, every low voltage DC gate operator can be solar powered. Discover the advantages of the solar energy at page 124



**Further accessories:**  
Transmitters page 104  
Photocells page 110  
Flashing lights page 113

⚠ Use only M-030000CC50 cable or equivalent

# GATE OPERATOR

# ZIP

For gate leaves up to 3,5 m

## 650ZIP

230 V electromechanical gate operator. Maximum gate leaf 3,5 m

### Features:

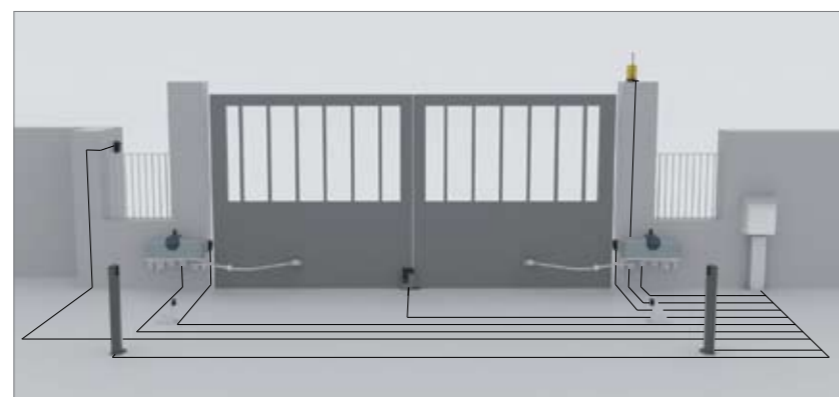
- residential use
- for gates leaves up to 2,3 m
- 230 V gate operator
- electromechanical motor

### Pros:

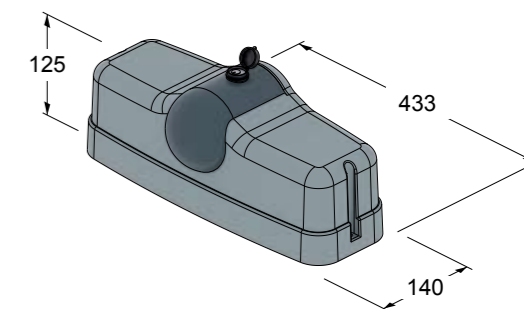
- easy and intuitive installation
- ideal for big posts
- high torque and power



Technical features	ZIP
Power supply	230 V AC (50 - 60 Hz)
Motor power supply	230 V AC
Absorption	1 A
Absorbed power	190 W
Opening time 90°	13 sec.
Duty cycle	50 %
Max. torque	334 Nm
Operating temperature	-20° C ÷ +55° C
Motor thermal protection	150° C
Degree of protection	IP 44



The above represented installation does not include safety devices such as safety edges. Their addition depends upon the risk assessment made on any installation in accordance with EN 12445-12453 standards.



### Accessories



**750D750M**  
Electronic control unit for one or two 230 V gate operators with soft-stop and built-in 433,92 MHz radio receiver, complete with enclosure



**700BAP**  
Gate stopper for heavy leaves



**S-750D752M10**  
Control unit enclosure protective lid



**700BAP1**  
Gate stopper for light leaves



**700GS3**  
Weatherproof cable connector for 3-core 230 V cable



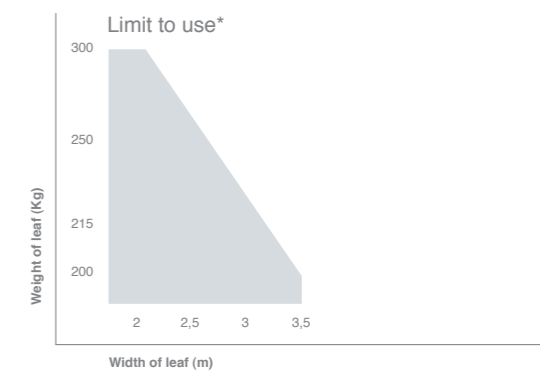
**700BAP2**  
Gate stopper wall/floor mount



**650ESV1-2**  
Electric lock (1 = left hand opening - 2 = right hand opening)



**C-TARG**  
Aluminium CE Mark Label, self adhesive



\*They refer to leaves with openings and not totally closed panels.



**Further accessories:**  
Transmitters page 104  
Photocells page 110  
Flashing lights page 113