

TRANSMITTERS AND RADIO RECEIVERS

ROLLING CODE TECNOLOGY

Features:

- frequency: 433,92 MHz
- range: up to 200 m in open air (the effective range depends on terrain and possible radio frequency interferences)
- 281.000 billion code combinations
- rolling code technology: every time the transmitter sends a code, it generates a new code using an encoder. An algorithm identifies and validates only the signal of the transmitters encoded by the radio receiver.

Pros:

- virtually impossible to duplicate
- code can be personalized thanks to the TAUPROG programmer
- ideal for multi-user systems
- a transmitter can be programmed into any number of self-learning radio receivers, thus avoiding the use of different transmitters
- tougher shells

250K-SLIMRP

Two-channel transmitter, rolling code technology, 433,92 MHz



250T-4RP

Four-channel transmitter, rolling code technology, 433,92 MHz, complete with support



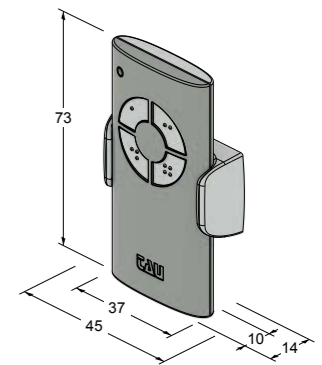
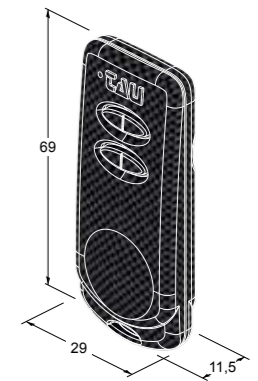
250T-RADIO1

Universal system made of one 433,92 MHz single-channel and self-learning receiver with built-in aerial and a two-channel K-SLIM transmitter with rolling code technology



250T-RADIO2

Universal system made of one 433,92 MHz two-channel and self-learning receiver with built-in aerial and two four-channel T-4RP transmitters with rolling code technology



Radio receivers



250RXDC1
Self-learning, single-channel, 433,92 MHz plug-in radio receiver. Accepts up to 62 rolling code transmitters or unlimited dipswitch transmitters.



250RXDC2
Self-learning, two-channel, 433,92 MHz plug-in radio receiver. Accepts up to 62 rolling code transmitters or unlimited dipswitch transmitters.



250RXDC1B
Self-learning, single-channel, 433,92 MHz radio receiver with enclosure. Accepts up to 62 rolling code transmitters or unlimited dipswitch transmitters.



250RXDC2B
Self-learning, two-channel, 433,92 MHz radio receiver with enclosure. Accepts up to 62 rolling code transmitters or unlimited dipswitch transmitters.



250RXDC4
Self-learning, four-channel, 433,92 MHz radio receiver with enclosure. Accepts up to 62 rolling code transmitters or unlimited dipswitch transmitters.



250RXDC4T
230 V Self-learning, four-channel, 433,92 MHz radio receiver with enclosure. Accepts up to 62 rolling code transmitters or unlimited dipswitch transmitters.



250E1RXD
126-code memory extension for RXDC self-learning radio receivers



250E2RXD
264-code memory extension for RXDC self-learning radio receivers



250E3RXD
1020-code memory extension for RXDC self-learning radio receivers



Accessories



250TAUPROG
Programmer for TAU rolling code transmitters



200 BATTBUG
Batteries for T-4, K-SLIM and BUG2-4 transmitters



250ANTD1
Aerial with mounting bracket and 5 m cable



250ANTD2
Aerial with 5 m cable (to be mounted on LAMP flashing lights)

NEW FUNCTIONS



Thanks to the TAUPROG handheld programmer and the new TAUPROG management software it is possible to create and manage an access control database, with a wide range of new functions. Rolling code transmitters can't be duplicated or added an existing system unless enabled by the same TAUPROG handheld programmer, thanks to the unique code embedded in each TAUPROG encoder. The user-friendly TAUPROG database management software (PC version) stores database contents and allows multiple functions such as customize and add comments to every transmitter stored, add/remove new transmitters to an existing system, enable/disable codes, make back-up copies and prints.

250BUG2R

Two-channel transmitter, rolling code technology, 433,92 MHz



250BUG4R

Four-channel transmitter, rolling code technology, 433,92 MHz

