

24
VOLT

GATE OPERATOR T-ONE 3B

For gates up to 300 Kg

EN
12445
12453
COMPLIANT



350T-ONE3B

24 V sliding gate operator with encoder, complete with electronic control unit and built-in 433,92 MHz single-channel radio receiver. Maximum gate weight 300 kg.

Features:

- residential / apartment building use
- for gates up to 300 kg
- low voltage DC gate operator
- encoder technology (no limit switches required)
- electronic control unit with built-in receiver
- only available in the kit version

Pros:

- obstacle detection and crush prevention
- in accordance with EN 12445-12453 standards
- works even during power outage thanks to the optional backup battery
- external emergency release available (optional, P/N 650ESE03)
- soft start and soft stop

Technical features	T-ONE3B
Power supply	230 V AC (50 - 60 Hz)
Motor power supply	24 V DC
Absorption	1,7 A
Absorbed power	40 W
Max. operating speed	14 m/min
Duty cycle	100 %
Max. thrust	320 N
Operating temperature	-20° C ÷ +55° C
Motor thermal protection	-
Degree of protection	IP 44
Max. gate leaf weight	300 kg
Pinion module	Module 4



Protected control Board:
The electronic control unit is well protected from the outside within its plastic shell.



Installation:
Safer installation thanks to the 4 fixing points and to the practical height adjustment. The cover is made of non-scratch UVA-resistant engineering plastics.



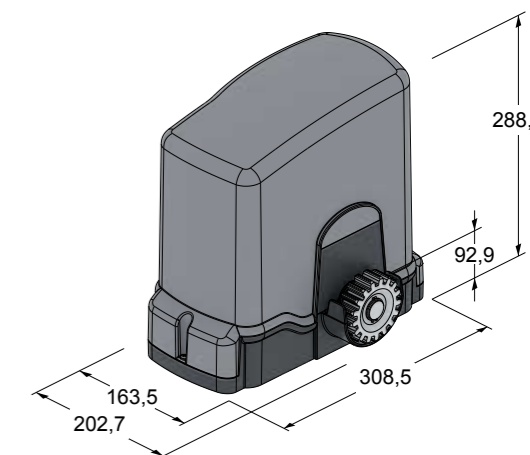
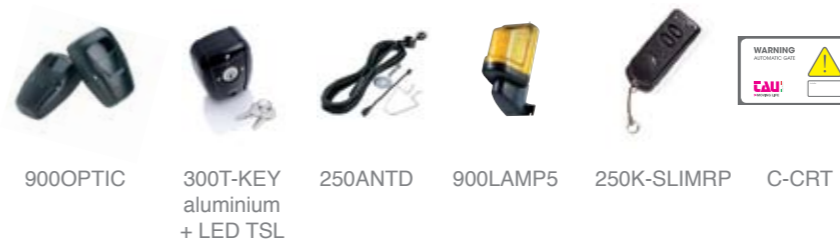
The above represented installation does not include safety devices such as safety edges. Their addition depends upon the risk assessment made on any installation in accordance with EN 12445-12453 standards.



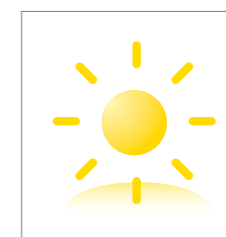
T-ONEKIT3BT

Complete automation kit for sliding gates up to 300 kg, with 350T-ONE3B gate operator

Accessories included in the kit:



Accessories



Solar power
Thanks to the Photovoltaic (PV) Technology, every low voltage DC gate operator can be solar powered. Discover the advantages of the solar energy at page 124



Further accessories:
Transmitters page 104
Photocells page 110
Flashing lights page 113

12
VOLT

GATE OPERATOR T-ONE 5B

For gates up to 500 Kg

EN
12445
12453
COMPLIANT



350T-ONE5B

12 V sliding gate operator with encoder, complete with electronic control unit and built-in 433,92 MHz radio receiver. Maximum gate weight 500 kg

Features:

- residential / apartment building use
- for gates up to 500 kg
- low voltage DC gate operator
- optical encoder technology (no limit switches required)
- electronic control unit with built-in two-channel receiver
- built-in battery charger

Pros:

- obstacle detection and crush prevention
- in accordance with EN 12445-12453 standards
- works even during power outage thanks to the optional backup battery
- 35% faster than the 230 V version
- intensive use, ideal for use on apartment buildings and public entrances
- external emergency release available (optional, P/N 650ESE03)
- soft start and soft stop



Protected control board: The electronic control unit is well protected from the outside within its plastic shell



Installation: Safer installation thanks to the 4 fixing points and to the practical height adjustment. The cover is made of non-scratch UVA-resistant engineering plastics.



The above represented installation does not include safety devices such as safety edges. Their addition depends upon the risk assessment made on any installation in accordance with EN 12445-12453 standards.



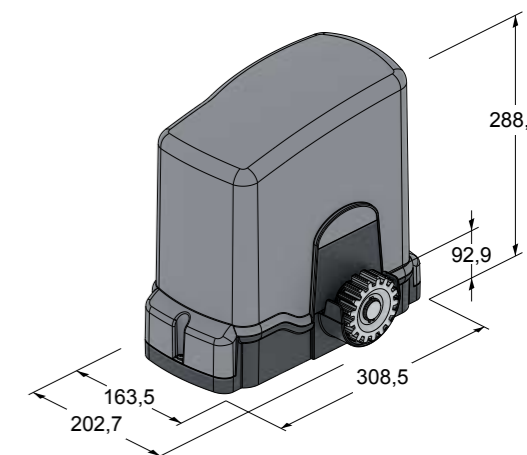
T-ONEKIT5BT

Complete automation kit for sliding gates up to 500 kg, with 350T-ONE5B gate operator

Accessories included in the kit:

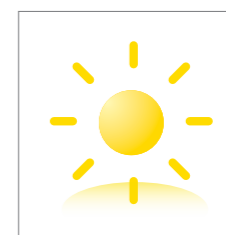


900OPTIC 300T-KEY aluminium + LED TSL 250ANTD 900LAMP4 250K-SLIMRP C-CRT



Accessories

	200BATT 12 V back-up battery, 7,2 Ah		650ESE03 External emergency release device with tamper-proof housing and 4 m cable
	400CPO Counterplate		900KITCF15 Safety edge kit l=1,5 m.
	400CPOR Adjustable counterplate		900TWC Wireless safety edge transmitter
	400CN Steel core, fibreglass reinforced, 22x22 nylon rack (Module 4, max 800 kg)		900TWM Wireless safety edge master receiver
	400VP40 Screws for 400CN (40 screws per pkg)		S-350K125M00 Replacement electronic control unit



Solar power
Thanks to the Photovoltaic (PV) Technology, every low voltage DC gate operator can be solar powered. Discover the advantages of the solar energy at page 124



Further accessories:
Transmitters page 104
Photocells page 110
Flashing lights page 113

GATE OPERATOR T-ONE 5-8

For gates up to 800 Kg

110
VOLT
AVAILABLE

EN
12445
12453
COMPLIANT



350T-ONE5

230 V sliding gate operator with encoder and electromechanical limit switch, complete with electronic control unit and built-in 433,92 MHz radio receiver. Maximum gate weight 500 kg

350T-ONE8

230 V sliding gate operator with encoder and electromechanical limit switch, complete with electronic control unit and built-in 433,92 MHz radio receiver. Maximum gate weight 800 kg

Features:

- residential / apartment building use
- for gates up to 500 / 800 kg
- 230 V gate operator
- built-in mechanical limit switches, magnetic limit switches available (optional)
- optical encoder technology for obstacle detection
- electronic control unit with built-in two-channel receiver
- quick programming

Pros:

- quick and easy installation
- obstacle detection and crush prevention
- in accordance with EN 12445-12453 standards* suitable for large sliding gates
- high torque and power
- external emergency release available (optional, P/N 650ESE03)

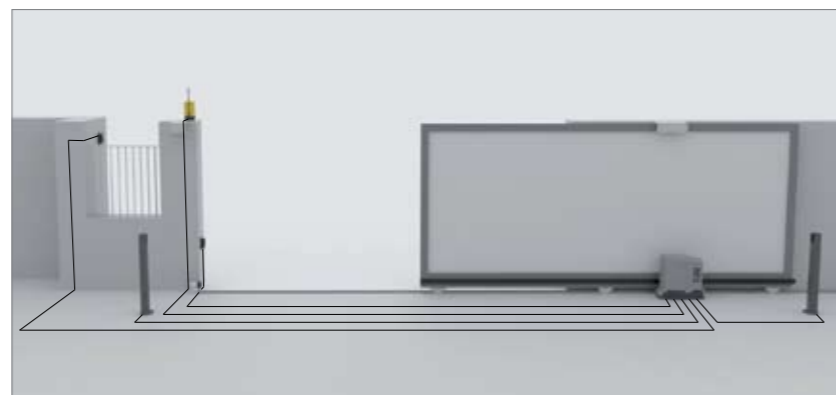
Technical features	T-ONE5	T-ONE8
Power supply	230 V AC (50 - 60 Hz)	230 V AC (50 - 60 Hz)
Motor power supply	230 V AC	230 V AC
Absorption	1,2 A	1,3 A
Absorbed power	220 W	240 W
Speed maneuver	10,5 m/min	10,5 m/min
Duty cycle	40 %	40 %
Max. thrust	920 N	1160 N
Operating temperature	-20° C ÷ +55° C	-20° C ÷ +55° C
Motor thermal protection	150°C	150°C
Degree of protection	IP 44	IP 44
Max. gate leaf weight	500 kg	800 kg
Pinion module	Module 4	Module 4



Control electronics:
Quick and intuitive programming thanks to signalling LEDs. Two-channel radio receiver built-in the control unit (433,92 MHz, 24 codes to memorize)



Safety:
Optical encoder technology as standard on all versions in order to grant a continued and reliable obstacle control.



The above represented installation does not include safety devices such as safety edges. Their addition depends upon the risk assessment made on any installation in accordance with EN 12445-12453 standards.



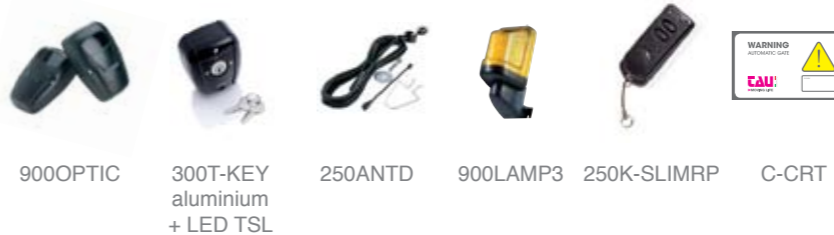
T-ONEKIT5T

Complete automation kit for sliding gates up to 500 kg, with 350T-ONE5 gate operator

T-ONEKIT8T

Complete automation kit for sliding gates up to 800 kg, with 350T-ONE8 gate operator

Accessories included in the kit:



900OPTIC

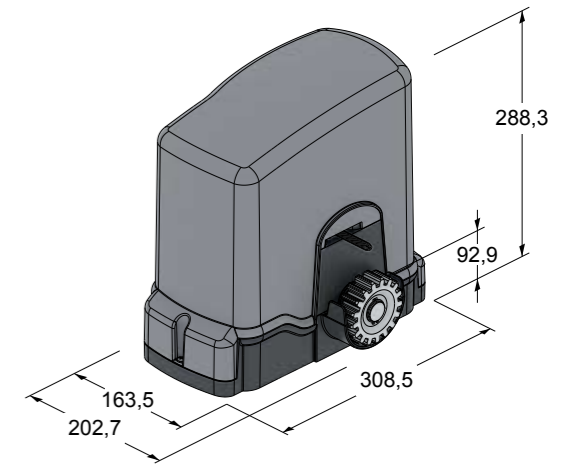
300T-KEY
aluminium
+ LED TSL

250ANTD

900LAMP3

250K-SLIMRP

C-CRT



Accessories



400CPO
Counterplate

900KITCF15
Safety edge kit 1,5 m.

400CPOR
Adjustable counterplate

900TWC
Wireless safety edge
transmitter

400CN
Steel core, fibreglass
reinforced, 22x22 nylon rack
(Module 4, max 800 kg)

900TWM
Wireless safety edge
master receiver

400VP40
Screws for 400CN (40
screws per pkg)

S-350K580M00
Replacement electronic
control unit

650ESE03
External emergency release
device with tamper-proof
housing and 4 m cable

400CFM
Magnetic limit switches



Further accessories:
Transmitters page 104
Photocells page 110
Flashing lights page 113

EN *The use of the wireless safety edge system is necessary in order to certify an installation when the gate weight is more than 500 kg