

12
VOLT

GATE OPERATOR SPEED 2CTN

For sliding or folding doors
up to 400 kg

EN
12445
12453
COMPLIANT



350SPEED2CTN

12 V chain drive sliding or folding door operator with encoder, complete with electronic control unit
Maximum door weight 400 kg

Features:

- commercial use
- irreversible electromechanical door operator
- for folding or sliding doors up to 400 kg
- low voltage DC motor
- counterplate included

Pros:

- intensive use
- fast operating speed
- obstacle detection and crush prevention



Chain transmission
SPEED2CTN can directly be installed on the door thanks to the chain transmission





The above represented installation does not include safety devices such as safety edges. Their addition depends upon the risk assessment made on any installation in accordance with EN 12445-12453 standards.

Accessories

 550TEN
Chain stretcher

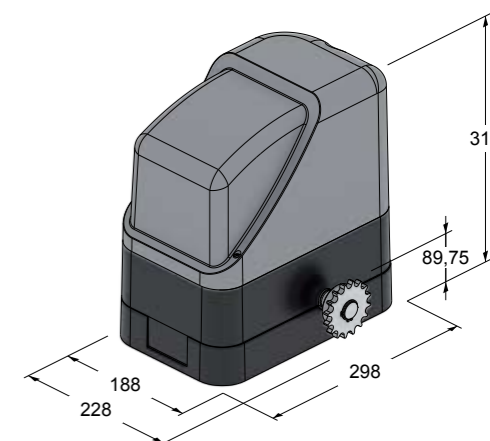
 500KITCTN
Set of chain brackets

 550CAT5
1/2" x 5/16" chain (5 m)

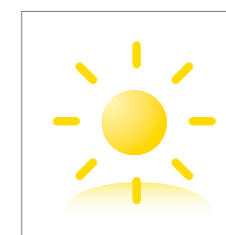
 300PPI
Heavy duty pushbutton panel

 C-CRT
Warning signal

 C-TARG
Aluminium CE mark label, self adhesive



Technical features	SPEED2CTN
Power supply	230 V AC (50 - 60 Hz)
Motor power supply	18 V DC
Absorption	1,5 A
Absorbed power	29 W
Duty cycle	100 %
Max. torque	14 Nm
Operating temperature	-20° C ÷ +55° C
Motor thermal protection	-
Degree of protection	IP 44
Max. speed maneuver	12,8 m/min
Max. gate leaf weight	400 kg



Solar power
Thanks to the Photovoltaic (PV) Technology, every low voltage DC gate operator can be solar powered. Discover the advantages of the solar energy at page 124



Further accessories:
Transmitters page 104
Photocells page 110
Flashing lights page 113