

12  
VOLT

# GATE OPERATOR EASY 12

For gate leaves up to 2,3 m

EN  
12445  
12453  
COMPLIANT

## 650EASY12 DX

12 V electromechanical gate operator with encoder. Right Hand operation. Maximum gate leaf 2,3 m

## 650EASY12 SX

12 V electromechanical gate operator with encoder. Left Hand operation. Maximum gate leaf 2,3 m

### Features:

- residential use
- for gates leaves up to 2,3 m
- low voltage DC gate operator
- optical encoder technology
- electromechanical motor

### Pros:

- compact size
- ideal for big posts
- obstacle detection and crush prevention
- in accordance with EN 12445-12453 standards
- works even during power outage thanks to the optional backup battery
- fast operating speed
- intensive use, ideal for use on apartment buildings and public entrances
- external emergency release available (optional, P/N 650ESE)

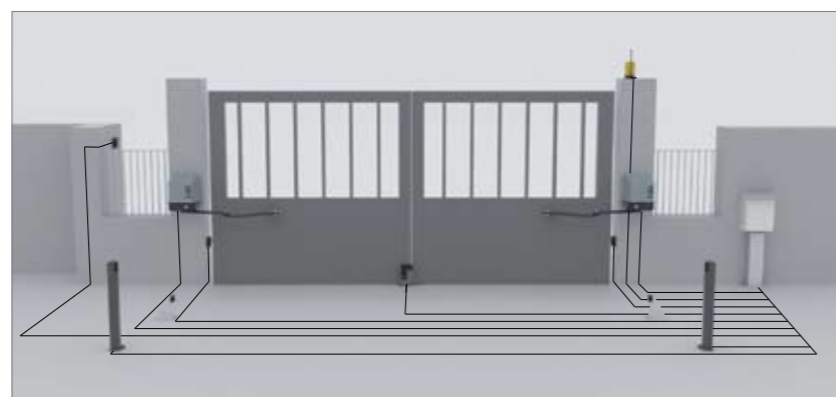


### Manual release

Easy-to-operate manual release with key lock for the less skilled users. Optional external emergency release device



Technical features	EASY12
Power supply	230 V AC (50 - 60 Hz)
Motor power supply	18 V DC
Absorption	0,8 A
Absorbed power	15 W
Opening time 90°	10 sec.
Duty cycle	100 %
Max. torque	157 Nm
Operating temperature	-20° C ÷ +55° C
Motor thermal protection	-
Degree of protection	IP 44



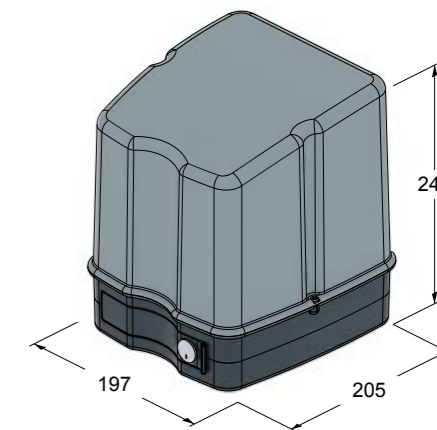
The above represented installation does not include safety devices such as safety edges. Their addition depends upon the risk assessment made on any installation in accordance with EN 12445-12453 standards.



## EASYKIT03T

Complete double arm automation kit for gates up to 2,3 + 2,3 m, with two 650EASY12 gate operators

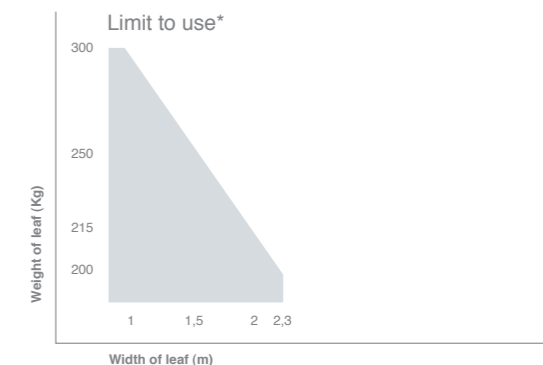
### Accessories included in the kit:



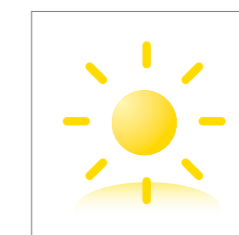
### Accessories



⚠ Use only M-030000CC50 cable or equivalent



\*They refer to leaves with openings and not totally closed panels.



**Solar power**  
Thanks to the Photovoltaic (PV) Technology, every low voltage DC gate operator can be solar powered. Discover the advantages of the solar energy at page 124



**Further accessories:**  
Transmitters page 104  
Photocells page 110  
Flashing lights page 113

# GATE OPERATOR EASY<sup>QR</sup>

For gate leaves up to 2,3 m

## 650EASY DX

230 V electromechanical gate operator. Right Hand operation. Maximum gate leaf 2,3 m

## 650EASY SX

230 V electromechanical gate operator. Left Hand operation. Maximum gate leaf 2,3 m

## 650EASYQR DX

230 V electromechanical gate operator complete with electronic control unit and built-in 433,92 MHz radio receiver. Right Hand operation. Maximum gate leaf 2,3 m

## 650EASYQR SX

230 V electromechanical gate operator complete with electronic control unit and built-in 433,92 MHz radio receiver. Left Hand operation. Maximum gate leaf 2,3 m

### Features:

- residential use
- for gates leaves up to 2,3 m
- 230 V gate operator
- electronic control unit with built-in 433,92 MHz radio receiver (EASYQR)

### Pros:

- compact size
- easy and intuitive installation
- ideal for big posts
- external emergency release available (optional, P/N 650ESE)



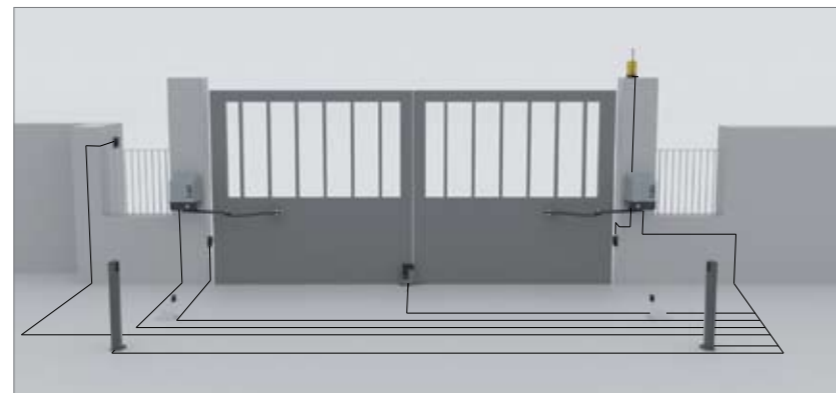
**Manual release**  
Easy-to-operate manual release with key lock for the less skilled users. Optional external emergency release device



**Protected Control Board**  
The electronic control unit – with built-in radio receiver - is well protected within its plastic shell



Technical features	EASYQR	EASY
Power supply	230 V AC (50 - 60 Hz)	
Motor power supply	230 V AC	
Absorption	1,5 A	
Absorbed power	275 W	
Opening time 90°	16 sec.	
Duty cycle	32 %	
Max. torque	160 Nm	
Operating temperature	-20° C ÷ +55° C	
Motor thermal protection	150° C	
Degree of protection	IP 44	



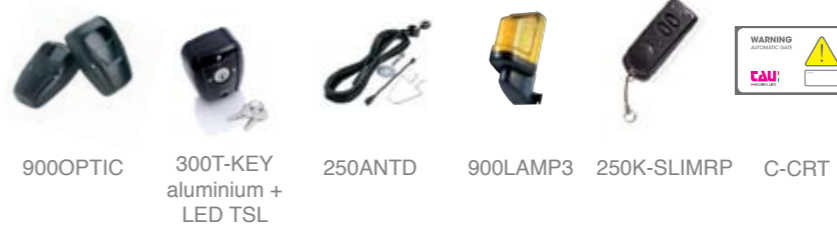
The above represented installation does not include safety devices such as safety edges. Their addition depends upon the risk assessment made on any installation in accordance with EN 12445-12453 standards.



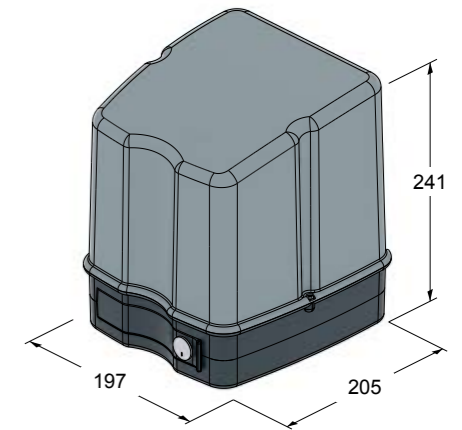
## EASYKIT02T

Complete double arm automation kit for gates up to 2,3 + 2,3 m, with one 650EASYQR and one 650EASY gate operators

### Accessories included in the kit:



900OPTIC    300T-KEY aluminium + LED TSL    250ANTD    900LAMP3    250K-SLIMRP    C-CRT



### Accessories



650ESE External emergency release device with tamper-proof housing and 5 m cable

700BAP Gate stopper for heavy leaves

700GS3 Weatherproof cable connector for 3-core 230 V cable

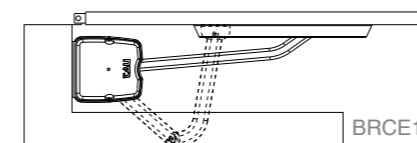
700BAP1 Gate stopper for light leaves

650ESV1-2 Electric lock (1 = left hand opening – 2 = right hand opening)

700BAP2 Gate stopper wall/floor mount

650BRCE1 Straight arm with driving track

C-TARG Aluminium CE Mark Label, self adhesive



S-650D727M00 Electronic control unit (replacement board)



\*They refer to leaves with openings and not totally closed panels.



**Further accessories:**  
Transmitters page 104  
Photocells page 110  
Flashing lights page 113